

# V1146

## 9-Port 1394b AS5643 XMC FPGA Card

### Benefits

- FPGA-based XMC card for SAE-AS5643 aerospace applications
- Supports transformer coupled S200/S400 data rates
- A COTS solution optimized for SWaP (size, weight and power)
- A programmable FPGA with a powerful development framework
- Integrated system-on-chip features for small form factor applications

### Features

- Nine transformer-coupled rear IO ports, ports are configurable to up to nine different 1394 nodes
- Microsemi SmartFusion2 M2S150 FPGA
- Supports a PCIe Gen2 x 4 host interface
- PPS time synchronization with  $\mu$ Sec resolution
- Thermal sensors for monitoring card temperature
- Robust FPGA development framework
- Available in conduction-cooled VITA 20-compliant XMC form factor; Carrier cards also available

### Overview

The V1146 provides a complete 1394b AS5643 high-density interface solution in an industry standard XMC form-factor with backplane IO. The entire 1394b solution is implemented in the on-board FPGA, providing bus control, diagnostics information, interface choices, and customization options not previously available.

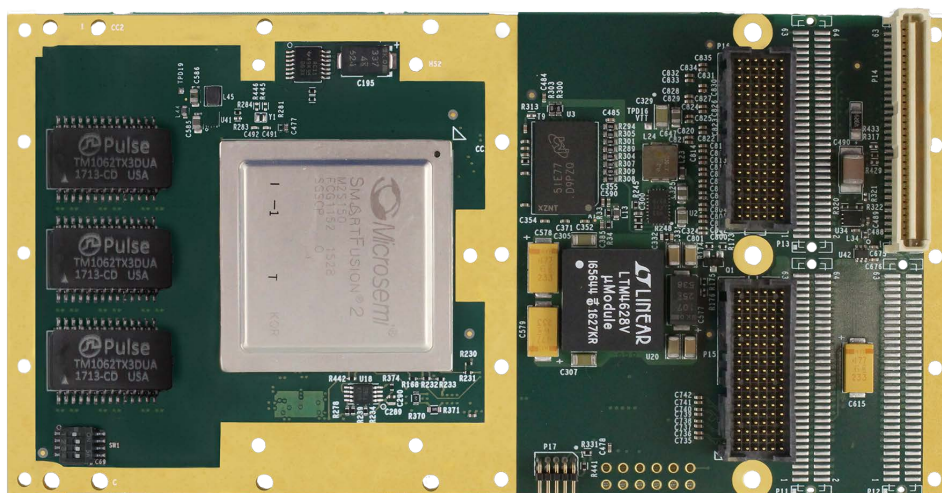
In addition, by using a single FPGA New Wave provides a solution that used to be performed in three or four chips into a single chip. This allows for higher port density solutions while reducing the size, weight, and power of the interface.

The V1146 provides nine backplane transformer-coupled 1394b IO ports. The host interface provided can be Gen2 PCIe or 64-bit PCI, based on user selection.

The V1146 is the perfect solution for rugged and high density 1394b applications where backplane IO is desired.

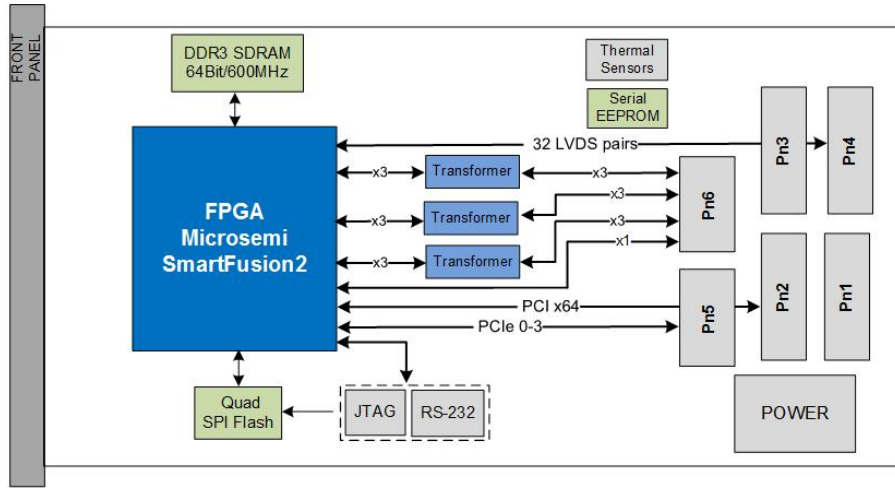
### Operation Customization

The V1146 is an FPGA-based network card that can be customized to fit your requirements. New Wave provides access to the FPGA for customers to customize, however New Wave can also modify existing cores or develop new cores for your applications. If you have specific requirements, New Wave can help you accomplish your goals.



# V1146

## 9-Port 1394b AS5643 XMC FPGA Card



> V1146 XMC Block Diagram

### Technical Specifications

**INTERFACE**

Nine transformer-coupled 1394b ports on backplane connector

**FPGA DEVICE**

Microsemi SmartFusion2 M2S150

**MEMORY**

One bank of 1GB DDR3 SDRAM

**FLASH**

One 32MB memory for storing a default configuration image

**HOST INTERFACE**

PCI Express Gen2 x4 (Pn5)  
PCI 64-bit (Pn1, Pn2, Pn3)

**EXTERNAL INTERFACE**

32 differential pairs (user configurable)  
PPS Interface for time synchronization with µsecond resolution  
RS-232 serial interface for debug

**THERMAL SENSORS**

1 digital temperature sensor

**COMPLIANCE**

VITA 20  
VITA 42.2  
VITA 61.0

### Technical Specifications Cont.

**DIMENSIONS**

74 mm (width) x 149 mm (length)

**POWER REQUIREMENTS**

Maximum 15W (preliminary)

**TEMPERATURE**

Operating: 0°C to 45°C at 600 LFM (air-cooled)  
Operating: -40°C to 70°C (conduction-cooled)  
Storage: -40°C to 85°C

### Our Commitment

New Wave DV is committed to providing the latest innovations in technology, architectures, and techniques to keep our customers one step ahead of the rest. Our products, complete with the Development Framework, are intended to offer our customers an entirely unique out-of-the-box experience.

### Ordering Information

400-01146-00-01: V1146 XMC Network Card, Microsemi M2S150T FPGA, Air Cooled, 9-Port S400, 1394 PCIe OHCI Configuration

Other product configurations are available. Please contact us.

**FOR MORE INFORMATION**

www.newwavedv.com  
info@newwavedv.com  
Phone +1 952-224-9201

New Wave DV  
4950 W 78th St. Minneapolis,  
MN 55435 USA

