

# V1152

## 12-Port XMC FPGA Card

### Benefits

High density FPGA XMC card for next generation data distribution and signal intelligence systems

Supports 1/10/25/40/100G Ethernet, 1/2/4/16/32G Fibre Channel, 1/2/2.5/10G sFPDP, ARINC 818-2

A COTS solution optimized for SWaP (size, weight and power)

Next generation host interface connection bandwidths

A programmable FPGA with a powerful development framework

Real-time data streaming directly from sensors

### Features

Three QSFP28 ports accommodate either:

- 3x 100G Ethernet
- 3x 40G Ethernet
- 12x 25G Ethernet
- 12x 10G Ethernet
- 12x 1G Ethernet
- 12x 1/2/4/8/16/32G Fibre Channel
- 12x 1/2/2.5/10G sFPDP
- 12x ARINC 818-2

Xilinx Virtex/Kintex UltraScale+ FPGA

Supports PCIe Gen3 x 16 and Gen4 x 8

PPS time synchronization with  $\mu$ Sec resolution

Thermal sensors for monitoring card temperature

Robust FPGA development framework

Advanced APIs that support multi-core and multi-processor architectures

Optimized Linux drivers and libraries

UDP offload engine for real time communication

Streaming front-end FPGA core for quick sensor integration

Available in air and conduction-cooled XMC form factors

### Overview

Reducing system size, weight and power (SWaP), while increasing performance, is critical for operational life and budgetary constraints of military radar and remote sensing systems. The requirement for increasingly higher port density, bandwidth, and processing power to support larger arrays, while still staying within SWaP and budget requirements, is a significant challenge to engineering architects. New Wave DV satisfies these requirements with the V1152 XMC Card — dramatically increasing bandwidth while providing plenty of FPGA resources to process data and support PCIe host connectivity.

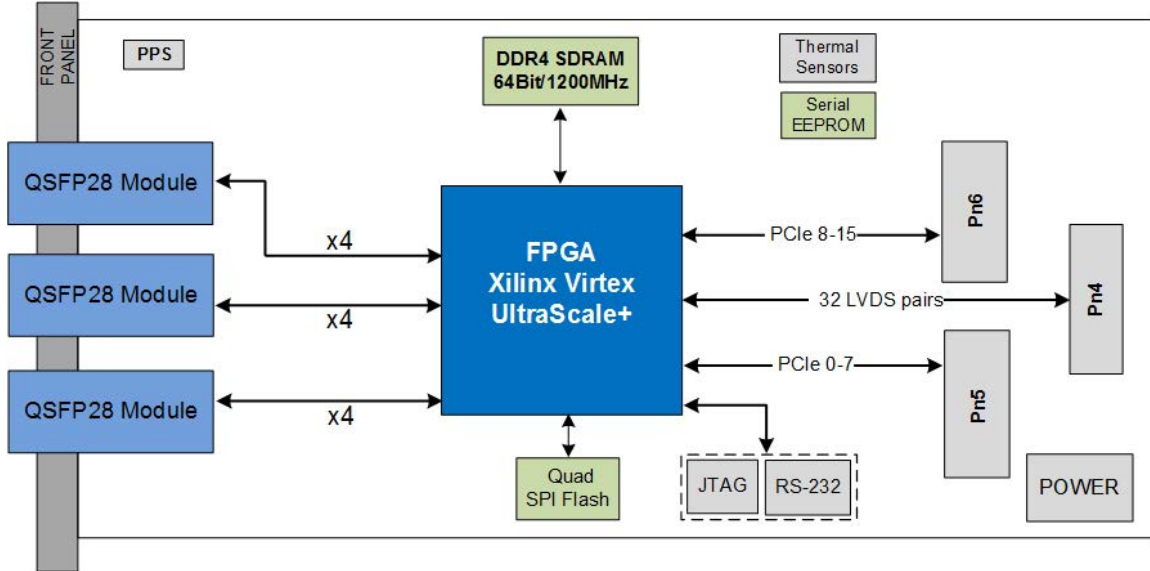
### Increased Bandwidth & Flexibility

The V1152 is the industry's most advanced XMC solution designed to provide a real time high-bandwidth network interface and processing module for next generation radar and signal intelligence systems. It comes with a range of Xilinx Virtex/Kintex UltraScale+ FPGAs, different memory configurations to meet application requirements, and support for different carrier boards host interfaces using PCIe, Ethernet, and XAUI. Design flexibility to meet application requirements results in optimized SWaP, shorter development cycle, and enhanced performance.



# V1152

## 12-Port XMC FPGA Card



> V1152 XMC Block Diagram

### Simplified Programmability Framework

The V1152 can optionally ship with a Development Framework, a fully-integrated and flexible toolset that provides the infrastructure necessary to ensure rapid deployment of custom applications. The framework abstracts the details of the protocol and interfaces, memory controllers and host fabric interfaces, thereby reducing the development effort and schedule for designers to implement custom solutions.

### Optional Offload Engines

The V1152 has built-in support for UDP, ARP and ICMP communication protocols. When used as a gateway, the V1152 supports PCI Express over the Pn5 (and optionally Pn6) connector for processor communication and comes with high level APIs for control and data transfer resulting in a simplified programming model.

### Multi-Processor Multi-Core Support

The V1152 is uniquely suited to system architectures involving multiple processing cards on a common switched data plane. Specifically, the V1152 supports shared access from multiple host processors, enabling it to function as a cost-effective, high-performance gateway. This feature enables a single high-speed pipe to carry multiple virtual channels in systems that need to spread or load balance sensor data across processor farms.

### Operation Customization

The V1152 is an FPGA-based network card that can be customized to fit your requirements. New Wave provides access to the FPGA for customers to customize, however New Wave can also modify existing cores or develop new cores for your applications. If you have specific networking requirements, New Wave can help you accomplish your goals.

# V1152

## 12-Port XMC FPGA Card

### Complete Product Support Program

New Wave DV prides itself on its excellent customer support, a fact that is echoed by our customers. New Wave DV provides industry standard warranty on its products, but it is the human factor that makes our support so valuable to our customers. Our team takes the time and effort to ensure that the customer experience with our products is a positive one.

### Our Commitment

New Wave DV is committed to providing the latest innovations in technology, architectures, and techniques to keep our customers one step ahead of the rest. Our products, complete with the Development Framework, are intended to offer our customers an entirely unique out-of-the-box experience.

### Ordering Information

300-01152-00-00: V1152 XMC Network Card, Virtex UltraScale+ VU3P, Air-Cooled

Other product configurations are available. Please contact us.

### Technical Specifications

#### NETWORK INTERFACE

Three QSFP28 optical ports

#### ETHERNET PROTOCOLS

TCP, UDP, ARP, ICMP, Multicast, Broadcast

#### FIBRE CHANNEL PROTOCOLS

LL, RDMA, ASM, AV

#### ADDITIONAL PROTOCOLS

sFPDP, ARINC 818-2

#### FPGA DEVICE

Xilinx Virtex UltraScale+ (VU3P)  
Xilinx Virtex UltraScale (VU065 to VU095)  
Xilinx Kintex UltraScale (KU095)

#### MEMORY

One bank of 8GB up to 1200MHz DDR4 SDRAM

#### FLASH

One 1Gb memory for storing a default configuration image

#### HOST INTERFACE

PCI Express (Gen4) x8 (Pn5)  
PCI Express (Gen3) x16 (Pn5 & Pn6)  
Two XAUI (Pn5), Two XAUI (Pn6)

#### EXTERNAL INTERFACE

32 differential pairs (user configurable)  
PPS Interface for time synchronization with  $\mu$ second resolution  
RS-232 serial interface for debug

#### THERMAL SENSORS

2 digital temperature sensors

#### COMPLIANCE

VITA 42.2, 42.3, 42.6  
VITA 61.0  
IEEE 802.3ae 2002  
IEEE 802.3ba 2010  
FC-FS-3 INCITS 470-2011

#### DIMENSIONS

74 mm (width) x 149 mm (length)

#### POWER REQUIREMENTS

Maximum 25W

#### TEMPERATURE

Operating: 0°C to 45°C at 600 LFM (air-cooled)  
Operating: -40°C to 70°C (conduction-cooled)  
Storage: -40°C to 85°C

#### FOR MORE INFORMATION

www.newwavedv.com  
info@newwavedv.com  
Phone +1 952-224-9201

New Wave DV  
4950 W 78th St. Minneapolis,  
MN 55435 USA

