



Fibre Channel Link Layer Core

Layer-1 & Layer-2 IP Core for Fibre Channel

Applications

Avionics and defense networks
Enterprise networking/storage

Benefits

Accelerates FPGA application development time-to-market
Leverage proven technology for standard interface implementation
Lower development costs

Features

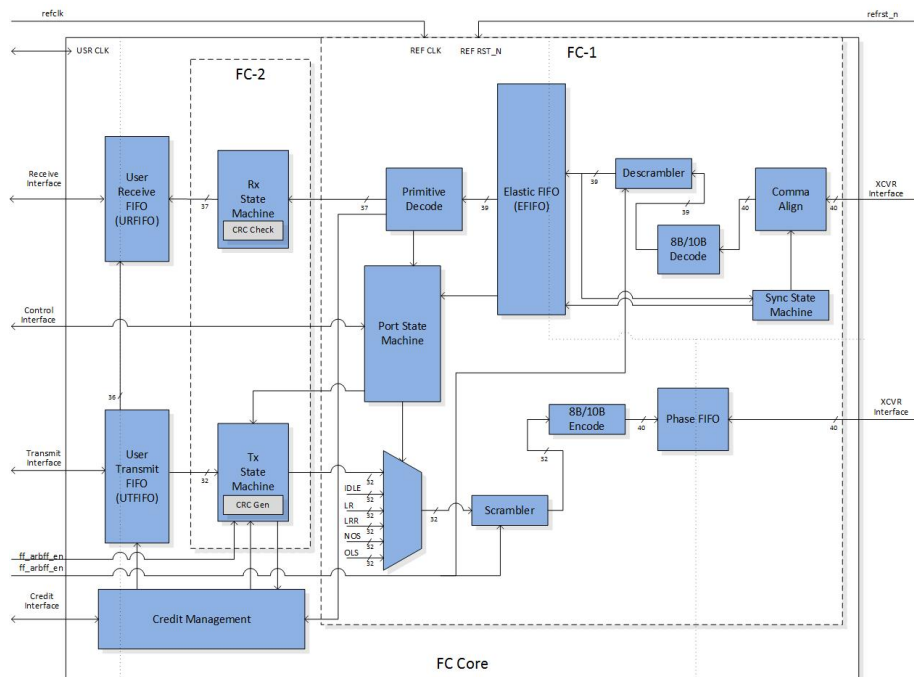
Supports 1/2/4/8/16 Gigabit Fibre Channel
N Port and F Port Types
Class 2 and Class 3 Fibre Channel Support
Switched Fabric or Point-to-Point
Complete FC1-FC2 functionality
Intuitive streaming user interface
Scales for multiple port designs

Overview

The New Wave Design and Verification Fibre Channel (FC) Link Layer core provides a complete IP solution for FC Layer 1 and Layer 2. The core includes all functionality needed to meet the framing and signaling specification of Fibre Channel including: comma alignment, 8b/10b encode/decode, primitive decode, scrambling, port state machine, credit manager, CRC generation/checking, elastic FIFO, and phase FIFO.

At the physical layer, the core is built for connecting to ASIC/FPGA embedded SERDES or discrete SERDES parts. The user interface of the core provides an intuitive streaming interface for application designers. The user interface within the core also includes cross clocking logic making integration into the larger design extremely simple.

This core has been used on a diverse set of applications, from enterprise storage to aerospace electronics, and on a wide range of parts at varying operating rates. The core comes with test-benches and example code, making design integration a straightforward task.



> FC Core Block Diagram

Fibre Channel Link Layer Core

Layer-1 & Layer-2 IP Core for Fibre Channel

Ordering Information

700-FC100-00-00: Fibre Channel Layer 1 and 2 core, full duplex, 1/2/4G support

700-FC100-01-00: Fibre Channel Layer 1 and 2 core, receive only, 1/2/4G support

700-FC100-02-00: Fibre Channel Layer 1 and 2 core, transmit only, 1/2/4G support

700-FC100-03-00: Fibre Channel Layer 1 and 2 core, full duplex, 1/2/4/8G support

700-FC100-04-00: Fibre Channel Layer 1 and 2 core, receive only, 1/2/4/8G support

700-FC100-05-00: Fibre Channel Layer 1 and 2 core, transmit only, 1/2/4/8G support

700-FC100-06-00: Fibre Channel Layer 1 and 2 core, full duplex, 1/2/4/8/16G support

700-FC100-07-00: Fibre Channel Layer 1 and 2 core, receive only, 1/2/4/8/16G support

700-FC100-08-00: Fibre Channel Layer 1 and 2 core, transmit only, 1/2/4/8/16G support

Other product configurations are available. Please contact us.

Technical Specifications

Core is delivered in netlist format including constraint files

SUPPORTED DEVICES

Xilinx: Virtex, Kintex, Artix FPGAs

Altera: Stratix, Arria, Cyclone FPGAs

Microsemi: SmartFusion2, Igloo2 FPGAs

SUPPORTED RATES

1/2/4/8/16G

OPERATING FREQUENCIES

1G: 26Mhz

2G: 53Mhz

4G: 106Mhz

8G: 212Mhz

16G: 212Mhz

FOR MORE INFORMATION:

www.newwavedv.com
info@newwavedv.com
Phone +1 952-224-9201

New Wave DV
4031 Highway 7
Suite 190
St. Louis Park, MN 55416 USA

